

# Radio Tuning Units (RTU) 870 (A), 870 (B), 870(C), 870(F) and 870 (T) Product Discontinuance

Ref. No. 2014-113M

Pub Date 05/2014

Effective June 1, 2014, Rockwell Collins is announcing the discontinuance of production on the Gas Discharge Display based Radio Tuning Units (RTU), specifically the RTU-870(A), RTU-870(B), RTU-870(C), RTU-870(F) and RTU-870(T). Rockwell Collins will continue to provide repair services for these products on a parts available basis.

Last time buy orders will be accepted until November 30, 2014, or until available components are consumed. All deliveries must be taken on or before June 1, 2015.

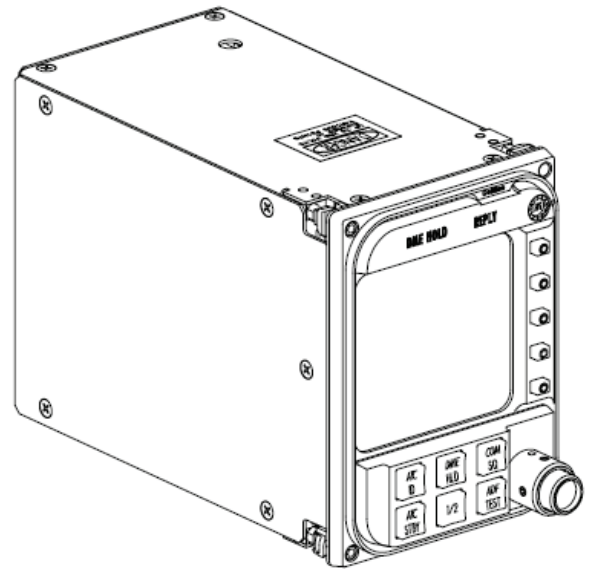
## RADIO TUNING UNIT– DISCONTINUED PART NUMBER

Equipment Type	Discontinued Part Number
RTU-870(A)	622-9346-xxx (All Statuses)
RTU-870(B)	822-1122-xxx (All Statuses)
RTU-870(C)	822-1123-xxx (All Statuses)
RTU-870(F)	822-1825-xxx (All Statuses)
RTU-870(T)	622-9856-xxx (All Statuses)

To help ensure maximum operation of the aircraft, Rockwell Collins is encouraging our customers to be proactive in planning their RTU updates. The replacement unit is the RTU-42X0 which features a Liquid Crystal Display (LCD) technology and is available today.

To help you upgrade the RTU, STCs are available for some platforms. Please contact your Rockwell Collins Authorized Dealer of choice to find out if an STC is available for your aircraft installation.

In addition, Rockwell Collins can assist operators in determining the proper RTU replacement unit; as a Rockwell Collins Authorized Dealer, reference the RTU 42X0 installation manual part number 523-0780424 to determine the replacement. As an owner, please consult your Rockwell Collins Authorized Dealer or contact your Rockwell Collins Regional Sales Manager/ Customer Support Engineer (CSE).



How can we help?

Please call Rockwell Collins Customer Support at +1.319.295.5000.

For more information, contact:

Rockwell Collins  
400 Collins Road NE  
Cedar Rapids, Iowa 52498  
+1.319.295.4085  
email: [csmarketing@rockwellcollins.com](mailto:csmarketing@rockwellcollins.com)  
[www.rockwellcollins.com](http://www.rockwellcollins.com)

**Rockwell  
Collins**

Building trust every day