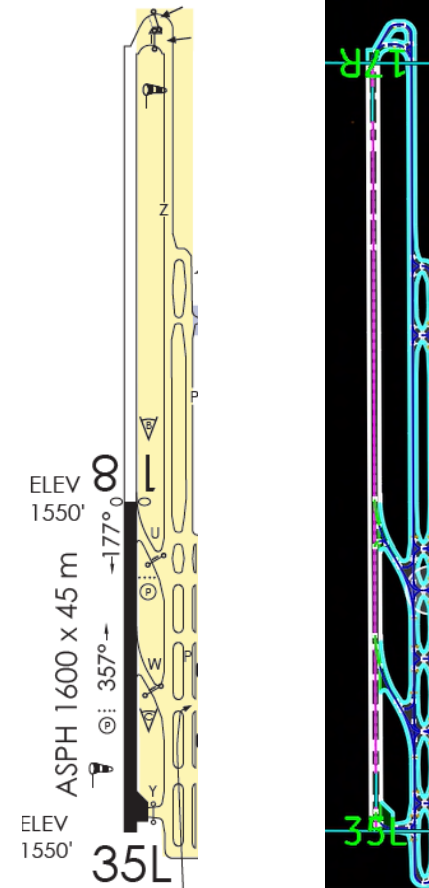


Airport Mapping Database – <i>Flight Alert</i>	
<i>PSW Issue Number</i>	FA-024-0006
<i>Affected Database Cycle</i>	2404 - 2501
<i>Affected Airport</i>	SCEL
<i>Detailed Description</i>	<p>The Airport Mapping Database currently shows the historical declared distances and location for runway 17R.35L.</p> <p>Temporarily, Supplemental AIP shows 17R.35L as 18.35L and has updated the 18.35L declared distances and location.</p>
<i>Pilot Actions</i>	<p>Be aware, the Airport Mapping Database for runway 17R.35L differs from the AIP. The location, name and declared distances in the Airport Mapping Database do not match the Supplemental AIP.</p> <p>For runway 17R.35L, it is recommended to use the location, name, and declared distances from 18.35L in the Supplemental AIP.</p>
<i>Corrective Action</i>	<p>This AMM will be reevaluated if/when the changes to runway 17R.35L from the Supplemental AIP is no longer temporary.</p>
<i>Anticipated Correction Cycle</i>	2501



The Airport Mapping Database currently shows the historical declared distances and location for runway 17R.35L.

Temporarily, Supplemental AIP shows 17R.35L as 18.35L and has updated the 18.35L declared distances and location.